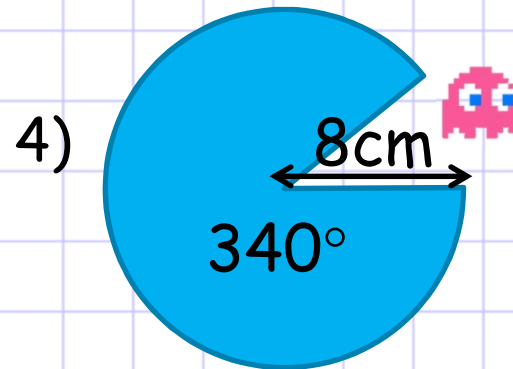
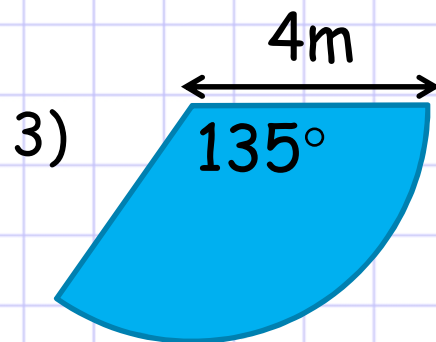
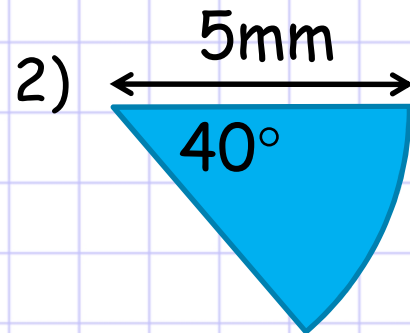
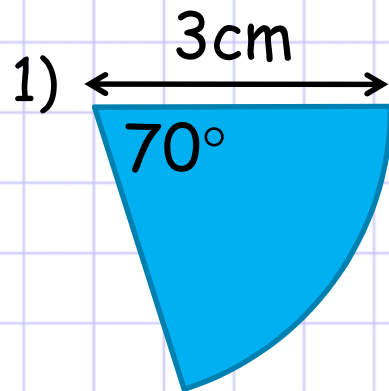
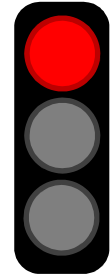


LO: Calculate arc length and perimeter of sectors.



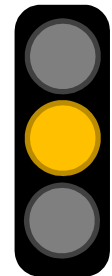
Red

Calculate the arc length of each sector.



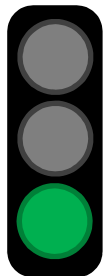
Amber

Calculate the perimeter of each sector.

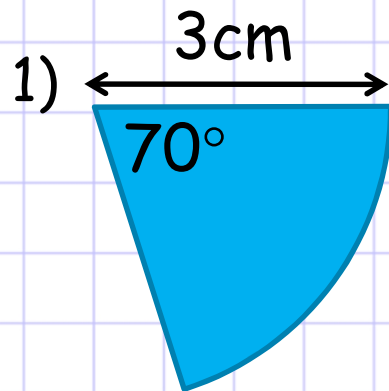


Green

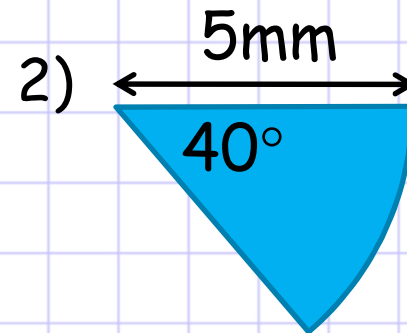
As above, then round your answer to 3 sig fig.



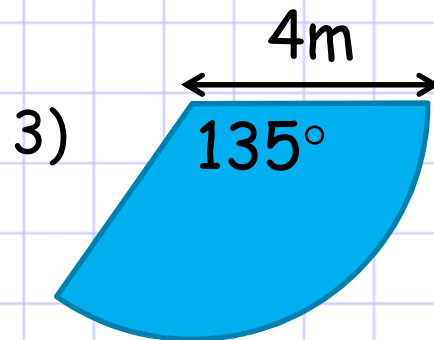
LO: Calculate arc length and perimeter of sectors.



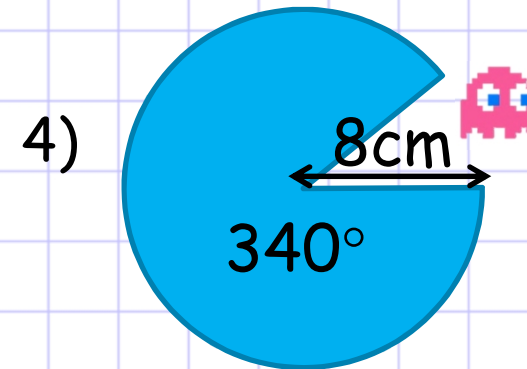
Arc length  
3.66 cm  
Perimeter  
9.66 cm



Arc length  
3.49 mm  
Perimeter  
13.5 mm



Arc length  
9.42 m  
Perimeter  
17.4 m



Arc length  
47.5 cm  
Perimeter  
63.5 cm